

# HOSE RACK

## ORDER INFORMATION

### HOSE RACK

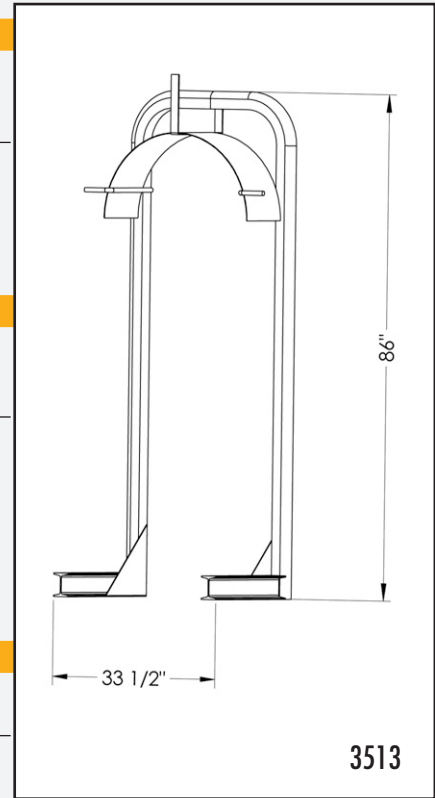
| Order # | Description/Dimensions<br>H x D x L | Shipping Wt.<br>Lbs. |
|---------|-------------------------------------|----------------------|
| 3513    | Hose Rack 86 x 23 3/8 x 33 1/2      | 46 lbs               |
| 3683    | Hose Rack 46 3/4 x 23 3/8 x 33 1/2  | 36 lbs               |

### OPTIONS

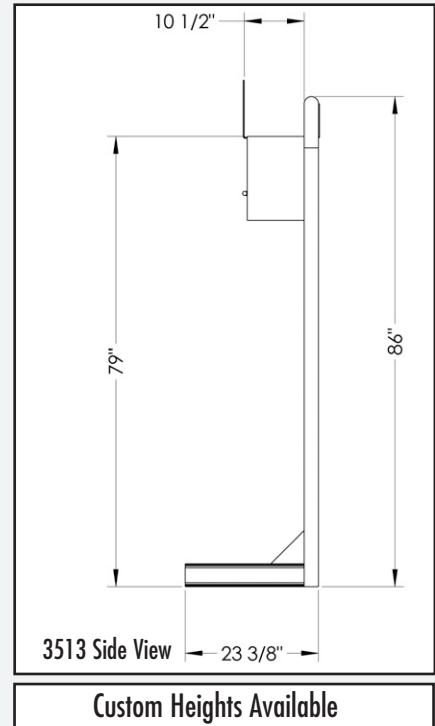
| Order # | Description/Dimensions<br>H x D x L                                 | Shipping Wt.<br>Lbs. |
|---------|---|----------------------|
| 3511    | Base Tray 2 3/4 x 22 5/8 x 30 1/4                                   | 10 lbs               |
| 3512    | Fitting Box 13 1/2 x 8 5/8 x 33 3/8<br>(specify height above frame) | 27 lbs               |

### MOUNTING KIT

| Order # | Description  | Shipping Wt. |
|---------|--------------|--------------|
| 3502    | Mounting Kit | 23 lbs       |



3512 Fitting Box



Models and/or Specifications Subject to Change Without Notice.

F.O.B. - Atlanta GA, Birmingham AL, Dallas TX, Henderson CO, Houston TX, Minneapolis MN, Nashville TN, Pittsburgh PA, Portland OR, Sacramento CA, Kansas City KS, Calgary, AB (CA), Toronto, ON (CA)

- ▲ Constructed of light, but strong Aluminum; for long life, great looks and weight savings.
- ▲ Premium alloys used throughout, to make sure you receive the great Merritt product you expect.

- ▲ I beam construction for a robust product.
- ▲ Stocked in Merritt warehouses, for quick delivery. Contact your local dealer for order placement.
- ▲ Load tested to 1000lbs static load

- ▲ Options available to make the Rack even more productive.
- ▲ Heavy-duty mounting kit available. Easy to install, yet durable and strong. (must be installed to manufacturer directions).

# HOSE RACK



3513 Hose Rack (Pictured w/optional 3511 Base Tray)



3683 Short Hose Rack

