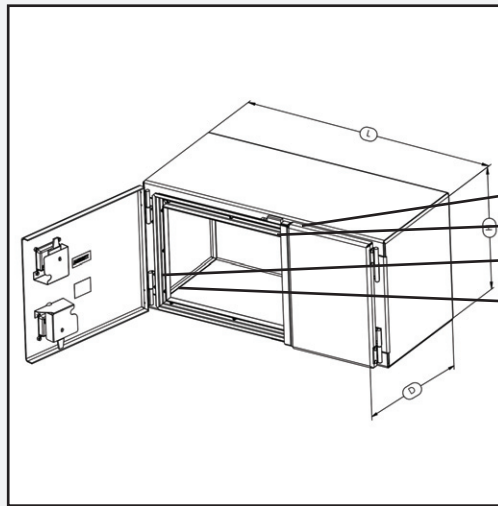


# S-SERIES ALUMINUM BOXES

## ORDER INFORMATION

Order #	Description/Dimensions H x W x L	Weight Lbs.	Order #	Description/Dimensions H x W x L	Weight Lbs.
3573	Tool Box, 18 x 17 3/8 x 18 Smooth Single Door S Series	24	3570	Tool Box, 18 x 17 3/8 x 18 Dia. Plate Single Door S Series	28
3575	Tool Box, 18 x 17 3/8 x 24 Smooth Single Door S Series	36	3572	Tool Box, 18 x 17 3/8 x 24 Dia. Plate Single Door S Series	37
3577	Tool Box, 18 x 17 3/8 x 30 Smooth Single Door S Series	42	3574	Tool Box, 18 x 17 3/8 x 30 Dia. Plate Single Door S Series	43
3579	Tool Box, 18 x 17 3/8 x 36 Smooth Single Door S Series	48	3576	Tool Box, 18 x 17 3/8 x 36 Dia. Plate Single Door S Series	49
3581	Tool Box, 18 x 17 3/8 x 36 Smooth Double Door S Series	49	3578	Tool Box, 18 x 17 3/8 x 36 Dia. Plate Double Door S Series	50
3583	Tool Box, 18 x 17 3/8 x 48 Smooth Single Door S Series	60	3582	Tool Box, 18 x 17 3/8 x 48 Dia. Plate Single Door S Series	61
3585	Tool Box, 18 x 17 3/8 x 48 Smooth Double Door S Series	61	3584	Tool Box, 18 x 17 3/8 x 48 Dia. Plate Double Door S Series	62
3587	Tool Box, 18 x 17 3/8 x 60 Smooth Single Door S Series	69	3588	Tool Box, 18 x 17 3/8 x 60 Dia. Plate Single Door S Series	70
3589	Tool Box, 18 x 17 3/8 x 60 Smooth Double Door S Series	70	3586	Tool Box, 18 x 17 3/8 x 60 Dia. Plate Double Door S Series	71
3613	Tool Box, 18 x 23 3/8 x 48 Smooth Double Door S Series	66	3608	Tool Box, 18 x 23 3/8 x 48 Dia. Plate Single Door S Series	67
3609	Tool Box, 18 x 17 3/8 x 48 Smooth Single Door S Series	67	3612	Tool Box, 18 x 17 3/8 x 48 Dia. Plate Double Door S Series	68
3615	Tool Box, 18 x 17 3/8 x 60 Smooth Single Door S Series	87	3614	Tool Box, 18 x 17 3/8 x 60 Dia. Plate Single Door S Series	88
3617	Tool Box, 18 x 17 3/8 x 60 Smooth Double Door S Series	88	3616	Tool Box, 18 x 17 3/8 x 60 Dia. Plate Double Door S Series	89
3593	Tool Box, 24 x 23 3/8 x 24 Smooth Single Door S Series	47	3590	Tool Box, 24 x 23 3/8 x 24 Dia. Plate Single Door S Series	48
3595	Tool Box, 24 x 23 3/8 x 30 Smooth Single Door S Series	56	3592	Tool Box, 24 x 23 3/8 x 30 Dia. Plate Single Door S Series	57
3597	Tool Box, 24 x 23 3/8 x 36 Smooth Single Door S Series	64	3594	Tool Box, 24 x 23 3/8 x 36 Dia. Plate Single Door S Series	65
3599	Tool Box, 24 x 23 3/8 x 36 Smooth Double Door S Series	61	3596	Tool Box, 24 x 23 3/8 x 36 Dia. Plate Double Door S Series	61
3601	Tool Box, 24 x 23 3/8 x 48 Smooth Single Door S Series	77	3600	Tool Box, 24 x 23 3/8 x 48 Dia. Plate Single Door S Series	78
3603	Tool Box, 24 x 23 3/8 x 48 Smooth Double Door S Series	79	3602	Tool Box, 24 x 23 3/8 x 48 Dia. Plate Double Door S Series	80
3607	Tool Box, 24 x 23 3/8 x 60 Smooth Double Door S Series	105	3604	Tool Box, 24 x 23 3/8 x 60 Dia. Plate Single Door S Series	106
3605	Tool Box, 24 x 23 3/8 x 60 Smooth Single Door S Series	107	3606	Tool Box, 24 x 23 3/8 x 60 Dia. Plate Double Door S Series	108

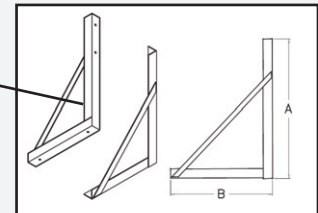


### OPTION

Order #	Description/Dimensions	Weight
3546	KIT, GAS SHOCK AND MOUNT FOR S-SERIES AND STD TOOL BOXES	6 Lbs.

- ▲ Automotive grade door seals, secures the entire perimeter, for a more water resistant seal
- ▲ UHMW Plastic used on striker plate for longer latch assembly life and easier operation
- ▲ Merritt's extruded door frame provides a weather resistant seal.
- ▲ Lap joint weld provides material overlap in the corner where it is needed for superior strength and longer life (compared to most boxes that are constructed with butt welds).

▲ Vertical angle is high strength alloy and 1/4" thick



### ZINC PLATED STEEL MOUNTING BRACKETS

Order #		A	B	Weight
117	For 18" Deep Tool Box	23-13/16"	16"	18
118	For 24" Deep Tool Box	29-13/16"	22"	25
620	E-Z Mounting Kit for 18" tool boxes			24
621	E-Z Mounting Kit for 24" tool boxes			31

- ▲ Steel for strength and low cost, Zinc Plated for lasting good looks!
- ▲ Available for 18" or 24" deep Tool Boxes
- ▲ Lightweight design - 117 only 18 lbs, 118 only 25 lbs.

Models and/or Specifications Subject to Change Without Notice.

F.O.B. - Atlanta GA, Birmingham AL, Dallas TX, Henderson CO, Houston TX, Minneapolis MN, Nashville TN, Pittsburgh PA, Portland OR, Sacramento CA, Kansas City KS, Calgary, AB (CA), Toronto, ON (CA)

Follow us on Facebook!! 

- ▲ Mount underbody, on top of the deck, side by side – the door will open.
- ▲ Constructed of high strength/low weight aluminum.
- ▲ 42 Standard base models

- ▲ Polished stainless steel T- handle latches with locks.
- ▲ Doors available in smooth finish or diamond plate. All smooth doors are polished to a # 8 grade for an exceptional appearance.
- ▲ Bullet style hinge with 1/4" S/S center pin.

- ▲ Protective coating on smooth doors for improved shipping protection (to be removed at time of installation.)
- ▲ Stainless Steel doors are available by special order.
- ▲ Custom sizes and designs are available to meet specific needs.

# S-SERIES ALUMINUM BOXES



S-Series Diamond Plate Single Door



S-Series Smooth Double Door



S-Series Smooth Single Door