

Follow us on Facebook!!



- ▲ You can store four one gallon jugs or two 2.5 gallon jugs.
- ▲ Mounting Kit is welded inside and can be mounted from either end.
- ▲ Utilize unused frame space and add outside storage for your DEF Products.
- ▲ Heavy Duty designs on all DEF boxes for longer life.
- ▲ Utilizing Merritts "Bullet" hinge with 1/4" S/S pivot, for no trouble – long life.
- ▲ Aluminum for low weight, yet high strength.

DEF STORAGE BOXES



DEF Box, Model #3630

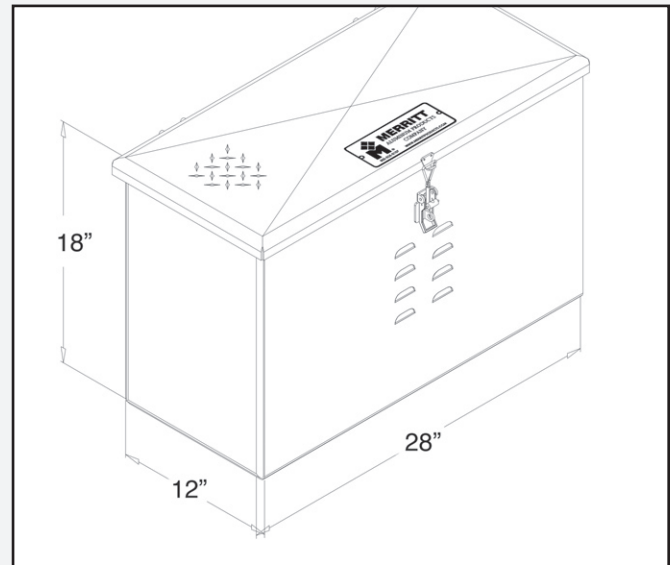
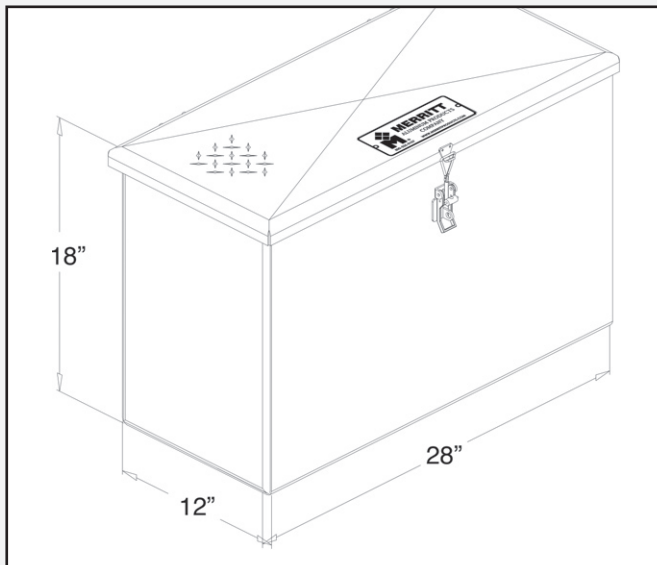


DEF Box, Model #3631, With Louvers

Order #	Description/Dimensions H x D x L	Shipping Wt. Lbs.
3630	DEF Box, Aluminum with Diamond Plate Door 18" x 28" x 12"	*34
3631	DEF Box, Aluminum with Diamond Plate Door 18" x 28" x 12" With Two Rows of Louvers on Front	*34

* = UPS Shippable

- ▲ *Mounting Brackets are welded in each end, you can mount the box from either end*
- ▲ *Utilizes an "Over Center" latch with padlock holes*
- ▲ *Ventilation Louvers can added for you needs*
- ▲ *The DEF Box will carry up to four one gallon DEF jugs or two 2.5 gallon DEF jugs*



Models and/or Specifications Subject to Change Without Notice.

F.O.B. - Fort Lupton CO, Sacramento CA, Salt Lake City UT, Dallas TX, Houston TX, Kansas City MO, Minneapolis MN, Atlanta GA, Pittsburgh PA, Calgary AB (CN), Toronto ON (CN)

Copyright © 2016 Merritt Aluminum Products Company. All Rights Reserved.

ALUMINUM PRODUCTS
MERRITT
 1-800-525-0107