

▲ **Frame Step**
Strong extruded aluminum non-slip tread 12" and 24" models.

▲ **Pete Style Steps**, fits the Peterbilt 379 tanks (33.5" and 35.5" widths are standard for the 23" and 26" diameter tanks.)

▲ **Fairing Box**
Designed to fit between side fairing panel & truck frame

▲ **Connection Box** – Polished finish or Diamond Plate Aluminum, with or without light holes

▲ **Cross frame mount** or can be mounted in the Merritt Dyna-Deck top mount, for a "custom" look.

▲ **The Connection Box** fits directly into the Dyna-Deck cover, if desired.

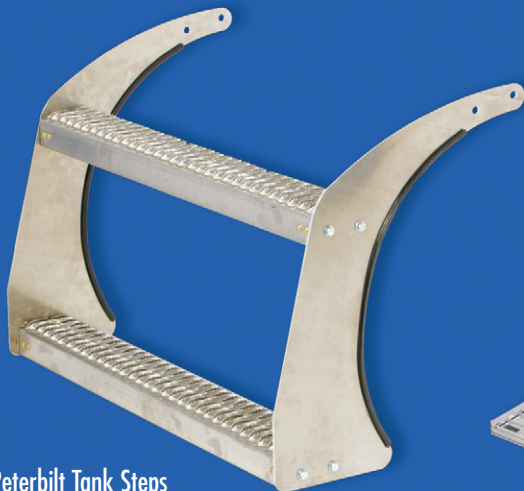
ALUMINUM STORAGE BOXES & ACCESSORIES



Frame Steps

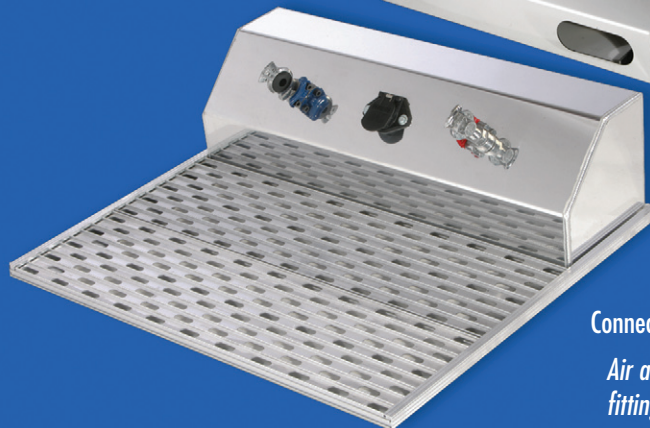


Fairing Box



© Peterbilt Tank Steps

Two Models with Light Holes



Connection Box

Air and electric fittings not included

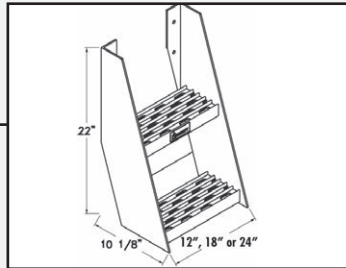
ALUMINUM STORAGE BOXES & ACCESSORIES

FRAME STEPS

Order #	Description/Dimensions	Weight
182	Frame Step 12" wide	9
362	Frame Step 18" wide	12
3000	Frame Step 24" wide	15

FRAME STEP

- ▲ Lower Step "foot stop - no shin bruises".
- ▲ Sturdy bolt on design - light but strong.
- ▲ Bright Aluminum throughout.

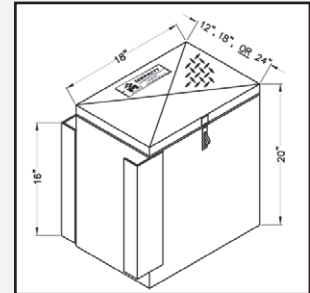


FAIRING BOX

Order #	Description/Dimensions H x D x L	Weight Lbs.
254	20" X 18" X 12"	32
255	20" X 18" X 18"	37
256	20" X 18" X 24"	43

FAIRING BOX

- ▲ Designed to fit between side fairing panel & truck frame
- ▲ Unique mounting kit allows for easy installation without removing side fairings
- ▲ Extruded door frame with automotive door seal for a water resistant closure

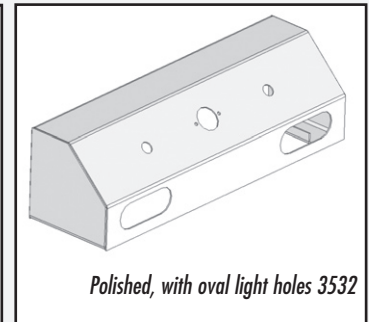
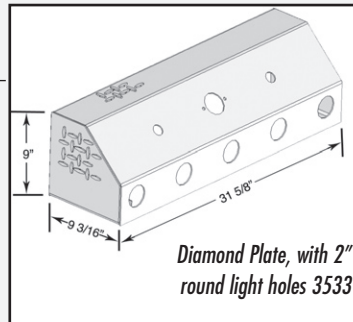


Mounting bolts not included

CONNECTION BOX

CROSS FRAME OR DYNA-DECK MOUNT

Order #	Description	Shipping Wt.
3529	Connection Box Polished Aluminum	18 lbs
3530	Connection Box Bright Tread	18 lbs
3531	Polished, with 5 (2") round light holes	18 lbs
3532	Polished, with 2 oval light holes	18 lbs
3533	Diamond plate, 5 (2") round light holes	18 lbs
3534	Diamond plate with 2 oval light holes	18 lbs



Includes Mounting Hardware / *Deck Cover Not Included *Add to 432, 433, 434 or 435 Deck Covers

PETERBILT® STYLE TANK STEP FOR PETE MODEL 379

Order #	Description	Shipping Wt.
3526	Tank Step 23" Radius x 33.5" Long	18 lbs
3527	Tank Step 26" Radius x 33.5" Long	18 lbs
3528	Tank Step 23" Radius x 35.5" Long	19 lbs
3520	Tank Step 26" Radius x 35.5" Long	19 lbs

* For Other Widths, Please provide Diameter and Step Width



Models and/or Specifications Subject to Change Without Notice.

F.O.B. - Fort Lupton CO, Sacramento CA, Salt Lake City UT, Dallas TX, Houston TX, Kansas City MO, Minneapolis MN, Atlanta GA, Pittsburgh PA, Calgary AB (CN), Toronto ON (CN)

Copyright © 2016 Merritt Aluminum Products Company. All Rights Reserved.

ALUMINUM PRODUCTS
MERRITT
 1-800-525-0107