

- ▲ Tire Chain Carrier - Frame Mount Lockable lid for security.
- ▲ Strong design to store up to 300 lbs. of chains.
- ▲ 24" for open frames, 18" for frames with fairing packages.

- ▲ Tire Chain Carrier – models with lid, without lid and with pull out lid available.
- ▲ You Can Purchase as singles or boxed in groups of 2, 3 or 4.
- ▲ Bulk Pricing available on request.

- ▲ Tire Carrier Lockable panel mount.
- ▲ EZ Hook, Tire Chain Carrier - Two models of hook, one for bolting to the frame, use (2) 1/2" grade 5 or better bolts. The other model is for bolting to the trailer cross member.

TIRE CHAIN CARRIERS



E Z Hook, Tire Chain Carrier

Models 3548, 3549



Models 233, 384



Models 2330, 3840

Tire Chain Carrier - Frame Mount

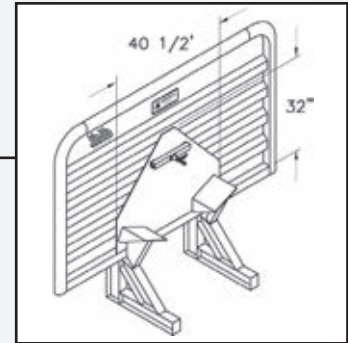
ALUMINUM TIRE CHAIN CARRIERS

TIRE CHAIN CARRIER - FRAME MOUNT

Order #	Description/Dimensions	Weight
233	24" Chain Carrier, w/lid, 300 lbs capacity	25
384	18" Chain Carrier, w/lid, 300 lbs capacity	22
119	"No Drill" Mounting kit (Fits 233 & 384)	4
385	18" Chain Carrier, 18" w/removable lid	22
234	24" Chain Carrier, 24" w/removable lid	22
3840	18" Chain Carrier, No Lid	22
2330	24" Chain Carrier, No Lid	22

TIRE CARRIER

- ▲ Strong, heavy duty design.
- ▲ Bright, smooth finish Aluminum through out strong, light weight, with bright finish for lasting good looks.

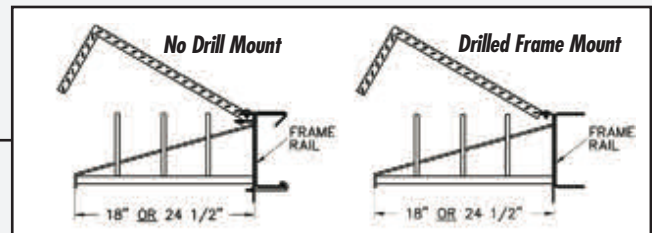


TIRE CARRIER

Order #	Description/Dimensions	Weight
163	Tire Carrier, panel mount	25

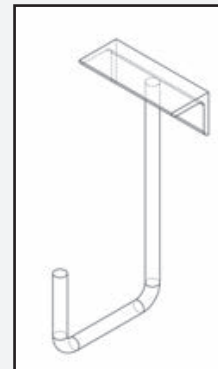
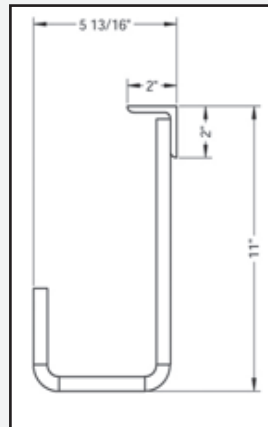
TIRE CHAIN CARRIER

- ▲ Strong heavy duty design, body built of high strength, zinc plated steel.
- ▲ Sturdy frame mount design- light but strong. (Weights only 25lbs. empty)
- ▲ Locking diamond plate aluminum cover- bright and strong.
- ▲ Removable lid option available upon request.
- ▲ Only 8" wide, space saving mount.

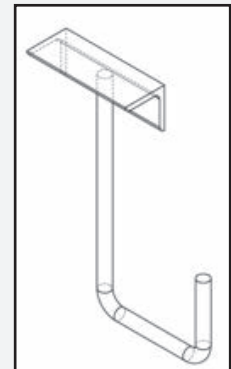


EZ HOOK, TIRE CHAIN CARRIER

Order #	Description/Dimensions	Weight
3548	90 Degree hook	4
3548-2	90 Degree hook, 2 pack	8
3548-3	90 Degree hook, 3 pack	12
3548-4	90 Degree hook, 4 pack	16
3549	Flat hook	4
3549-2	Flat hook, 2 pack	8
3549-3	Flat hook, 3 pack	12
3549-4	Flat hook, 4 pack	16



Model 3548



Model 3549

Models and/or Specifications Subject to Change Without Notice.

F.O.B. - Fort Lupton CO, Sacramento CA, Salt Lake City UT, Dallas TX, Houston TX, Kansas City MO, Minneapolis MN, Atlanta GA, Pittsburgh PA, Calgary AB (CN), Toronto ON (CN)

Copyright © 2016 Merritt Aluminum Products Company. All Rights Reserved.

ALUMINUM PRODUCTS
MERRITT
 1-800-525-0107