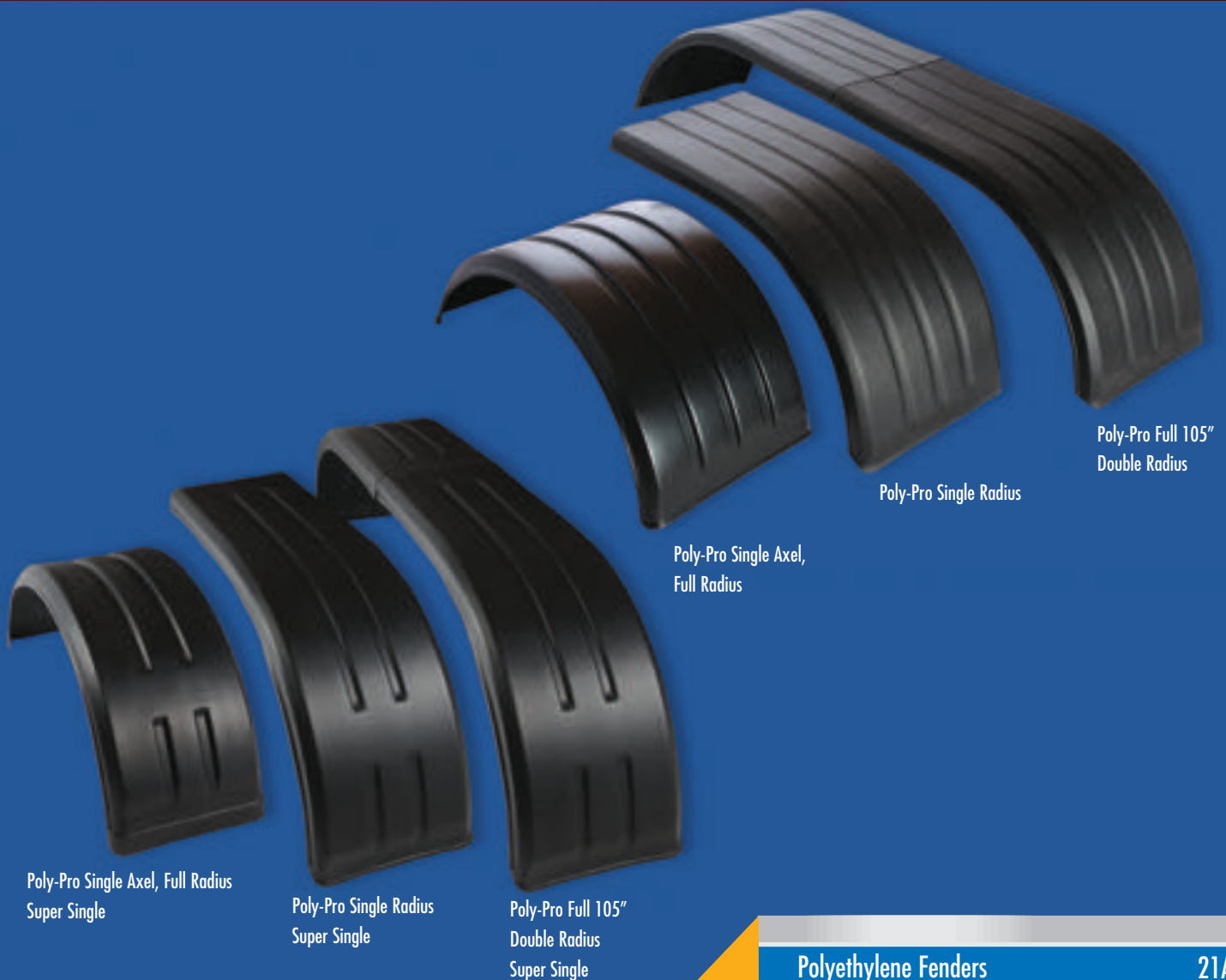


- ▲ Heavy Duty, HDPE-High Density Polyethylene Flexible, W/UV Protection
- ▲ Packaged as sets-two fenders per package
- ▲ Full Fender is bolted together in the middle

- ▲ Currently six models available:
 - Half, Single Radius/Super Single
 - Full, Double Radius/Super Single
 - Full Single Axel, Full Radius/SS
- ▲ Very flexible, low damage fender. Low cost - long life

- ▲ Stocked in our warehouse group for fast and economical delivery
- ▲ Use our market tested and easy to install "E-Z Mount" brackets to mount the Poly-Pro fender
- ▲ Standard Fender is 25" Wide Super Single Fender is 18" Wide

"POLY-PRO" POLYETHYLENE / SUPER SINGLE FENDERS



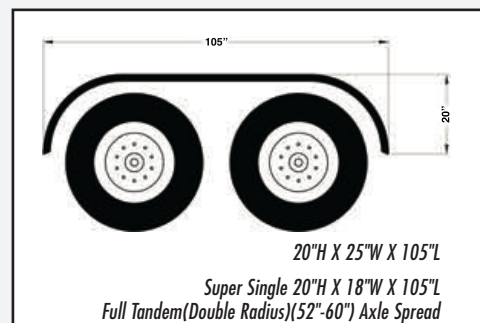
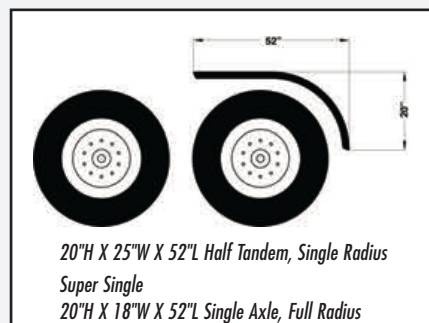
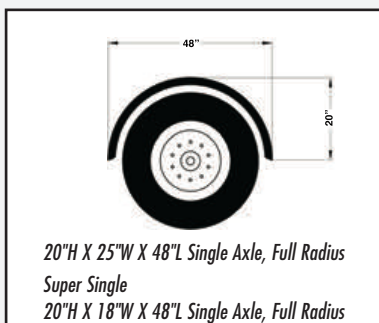
POLYETHYLENE FENDERS

Order #	Description	Shipping Wt.
5344-2	Poly-Pro Single Axle, Full Radius High Density Polyethylene, Black Non-Paintable Set of Two Ribbed	20 lbs
5340-2	Poly-Pro Half Tandem Fender, Single Radius High Density Polyethylene, Black Non-Paintable Set of Two Ribbed	20 lbs
5343-2	Poly-Pro Full Tandem Fender, Double Radius High Density Polyethylene, Black Non-Paintable Set of Two Ribbed Consists of: 4-Half Fenders / 1-Nut & Bolt Package	45 lbs



SUPER SINGLE POLYETHYLENE FENDERS

Order #	Description	Shipping Wt.
5345-2	Poly-Pro Single Axle, 18" wide Full Radius High Density Polyethylene, Black Non-Paintable Set of Two Ribbed	20 lbs
5346-2	Poly-Pro Half Tandem Fender, 18" wide Single Radius High Density Polyethylene, Black Non-Paintable Set of Two Ribbed	20 lbs
5347-2	Poly-Pro Full Tandem Fender, 18" wide Double Radius High Density Polyethylene, Black Non-Paintable Set of Two Ribbed Consists of: 4-Half Fenders / 1-Nut & Bolt Package	45 lbs



Models and/or Specifications Subject to Change Without Notice.

F.O.B. - Fort Lupton CO, Sacramento CA, Salt Lake City UT, Dallas TX, Houston TX, Kansas City MO, Minneapolis MN, Atlanta GA, Pittsburgh PA, Calgary AB (CN), Toronto ON (CN)

Copyright © 2016 Merritt Aluminum Products Company. All Rights Reserved.