

- ▲ 2 Models to choose from, allowing you to adapt a bracket to your application.
- ▲ Proven in one of the toughest environments in the world.
- ▲ Ideal for heavy-duty trucks, thriving in harsh environments.
- ▲ Normal hand tools used for installation

- ▲ Stocked in most Merritt warehouse locations.
- ▲ Each Heavy Duty Fender Mounting kit will mount two quarter fenders or one single axle fender. Can be used to mount a full fender using an E-Z Mount adjustable center bracket.
- ▲ Light, very strong and highly durable.

- ▲ Heavy duty truck fender mounting kits include:

2 off-set tube mounts (steel tube and cast aluminum boss)

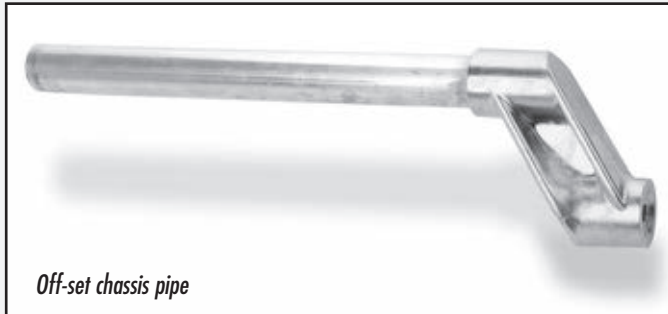
4 cast aluminum mounting brackets that securely fasten onto the tube and the fender.

E-Z HD FENDER MOUNTING KIT

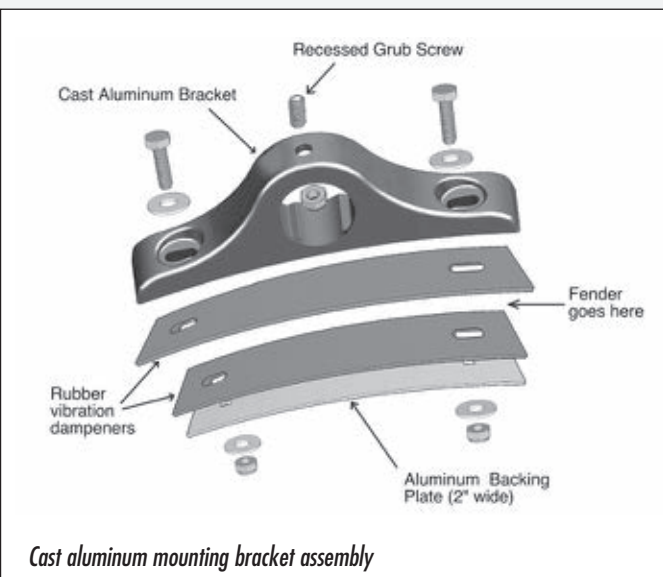


OFFSET PIPE FENDER BRACKETS

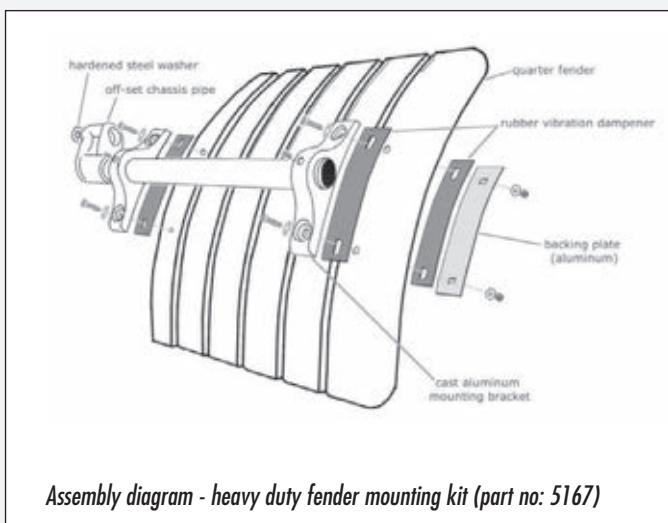
Offset Pipe Fender Bracket is designed to mount outside any fender.



Off-set chassis pipe



Cast aluminum mounting bracket assembly



Assembly diagram - heavy duty fender mounting kit (part no: 5167)

Features:

Off-set chassis pipe mounts solidly to frame with single grade 8 bolt

Installation Notes:

- ▲ It is necessary to bend TAB Lock-washers downward into the bolt to prevent unwinding.
- ▲ Torque 5/8 Nyloc nuts to 150 ft/lbs.

Features:

Cast Aluminum Brackets mount to the fender as shown, secure the Grub Screw to the pipe shaft, making those hard installations a breeze.

Installation Notes:

- ▲ Mounting bracket backing plate can be used as a template to drill holes in fender.
- ▲ When installing the 3/8" x 2 1/4" bolts, it is recommended that the bolts are not over tightened, 10inch lbs. torque.
- ▲ Secure mounting bracket to chassis pipe/tube using "Grub Screw" and 3/8" conelok nut.

E-Z HD FENDER MOUNTING KITS

Order #	Description	Weight Lbs.
5167-2	Two mounting tubes, Four cast, curved fender brackets and mounting hardware	24
5168-2	Two mounting tubes, Four cast, straight fender brackets and mounting hardware	24

Models and/or Specifications Subject to Change Without Notice.

F.O.B. - Fort Lupton CO, Sacramento CA, Salt Lake City UT, Dallas TX, Houston TX, Kansas City MO, Minneapolis MN, Atlanta GA, Pittsburgh PA, Calgary AB (CN), Toronto ON (CN)

Copyright © 2016 Merritt Aluminum Products Company. All Rights Reserved.