

Follow us on Facebook!! 

- ▲ Mount underbody, on top of the deck, side by side – the door will open.
- ▲ Constructed of high strength/low weight aluminum.
- ▲ 42 Standard base models

- ▲ Polished stainless steel T- handle latches with locks.
- ▲ Doors available in smooth finish or diamond plate. All smooth doors are polished to a # 8 grade for an exceptional appearance.
- ▲ Bullet style hinge with 1/4" S/S center pin.

- ▲ Protective coating on smooth doors for improved shipping protection (to be removed at time of installation.)
- ▲ Stainless Steel doors are available by special order.
- ▲ Custom sizes and designs are available to meet specific needs.

S-SERIES ALUMINUM BOXES



S-Series Diamond Plate Single Door



S-Series Smooth Double Door

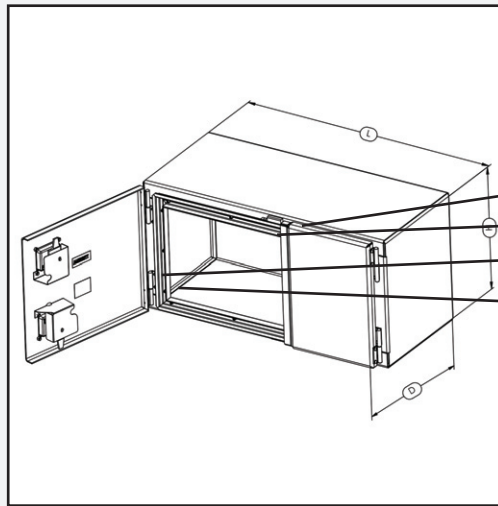


S-Series Smooth Single Door

S-SERIES ALUMINUM BOXES

ORDER INFORMATION

| Order # | Description/Dimensions H x W x L | Weight Lbs. | Order # | Description/Dimensions H x W x L | Weight Lbs. |
|---------|--|----------------|---------|--|----------------|
| 3573 | Tool Box, 18 x 17 3/8 x 18 Smooth Single Door S Series | 24 | 3570 | Tool Box, 18 x 17 3/8 x 18 Dia. Plate Single Door S Series | 28 |
| 3575 | Tool Box, 18 x 17 3/8 x 24 Smooth Single Door S Series | 36 | 3572 | Tool Box, 18 x 17 3/8 x 24 Dia. Plate Single Door S Series | 37 |
| 3577 | Tool Box, 18 x 17 3/8 x 30 Smooth Single Door S Series | 42 | 3574 | Tool Box, 18 x 17 3/8 x 30 Dia. Plate Single Door S Series | 43 |
| 3579 | Tool Box, 18 x 17 3/8 x 36 Smooth Single Door S Series | 48 | 3576 | Tool Box, 18 x 17 3/8 x 36 Dia. Plate Single Door S Series | 49 |
| 3581 | Tool Box, 18 x 17 3/8 x 36 Smooth Double Door S Series | 49 | 3578 | Tool Box, 18 x 17 3/8 x 36 Dia. Plate Double Door S Series | 50 |
| 3583 | Tool Box, 18 x 17 3/8 x 48 Smooth Single Door S Series | 60 | 3582 | Tool Box, 18 x 17 3/8 x 48 Dia. Plate Single Door S Series | 61 |
| 3585 | Tool Box, 18 x 17 3/8 x 48 Smooth Double Door S Series | 61 | 3584 | Tool Box, 18 x 17 3/8 x 48 Dia. Plate Double Door S Series | 62 |
| 3587 | Tool Box, 18 x 17 3/8 x 60 Smooth Single Door S Series | 69 | 3588 | Tool Box, 18 x 17 3/8 x 60 Dia. Plate Single Door S Series | 70 |
| 3589 | Tool Box, 18 x 17 3/8 x 60 Smooth Double Door S Series | 70 | 3586 | Tool Box, 18 x 17 3/8 x 60 Dia. Plate Double Door S Series | 71 |
| 3613 | Tool Box, 18 x 23 3/8 x 48 Smooth Double Door S Series | 66 | 3608 | Tool Box, 18 x 23 3/8 x 48 Dia. Plate Single Door S Series | 67 |
| 3609 | Tool Box, 18 x 17 3/8 x 48 Smooth Single Door S Series | 67 | 3612 | Tool Box, 18 x 17 3/8 x 48 Dia. Plate Double Door S Series | 68 |
| 3615 | Tool Box, 18 x 17 3/8 x 60 Smooth Single Door S Series | 87 | 3614 | Tool Box, 18 x 17 3/8 x 60 Dia. Plate Single Door S Series | 88 |
| 3617 | Tool Box, 18 x 17 3/8 x 60 Smooth Double Door S Series | 88 | 3616 | Tool Box, 18 x 17 3/8 x 60 Dia. Plate Double Door S Series | 89 |
| 3593 | Tool Box, 24 x 23 3/8 x 24 Smooth Single Door S Series | 47 | 3590 | Tool Box, 24 x 23 3/8 x 24 Dia. Plate Single Door S Series | 48 |
| 3595 | Tool Box, 24 x 23 3/8 x 30 Smooth Single Door S Series | 56 | 3592 | Tool Box, 24 x 23 3/8 x 30 Dia. Plate Single Door S Series | 57 |
| 3597 | Tool Box, 24 x 23 3/8 x 36 Smooth Single Door S Series | 64 | 3594 | Tool Box, 24 x 23 3/8 x 36 Dia. Plate Single Door S Series | 65 |
| 3599 | Tool Box, 24 x 23 3/8 x 36 Smooth Double Door S Series | 61 | 3596 | Tool Box, 24 x 23 3/8 x 36 Dia. Plate Double Door S Series | 61 |
| 3601 | Tool Box, 24 x 23 3/8 x 48 Smooth Single Door S Series | 77 | 3600 | Tool Box, 24 x 23 3/8 x 48 Dia. Plate Single Door S Series | 78 |
| 3603 | Tool Box, 24 x 23 3/8 x 48 Smooth Double Door S Series | 79 | 3602 | Tool Box, 24 x 23 3/8 x 48 Dia. Plate Double Door S Series | 80 |
| 3607 | Tool Box, 24 x 23 3/8 x 60 Smooth Double Door S Series | 105 | 3604 | Tool Box, 24 x 23 3/8 x 60 Dia. Plate Single Door S Series | 106 |
| 3605 | Tool Box, 24 x 23 3/8 x 60 Smooth Single Door S Series | 107 | 3606 | Tool Box, 24 x 23 3/8 x 60 Dia. Plate Double Door S Series | 108 |

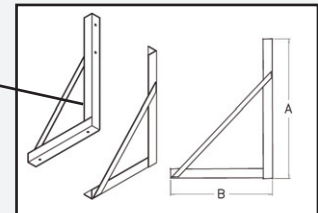


OPTION

| Order # | Description/Dimensions | Weight |
|---------|---|--------|
| 3546 | KIT,GAS SHOCK AND MOUNT FOR S-SERIES AND STD TOOL BOXES | 6 Lbs. |

- ▲ Automotive grade door seals, secures the entire perimeter, for a more water resistant seal
- ▲ UHMW Plastic used on striker plate for longer latch assembly life and easier operation
- ▲ Merritt's extruded door frame provides a weather resistant seal.
- ▲ Lap joint weld provides material overlap in the corner where it is needed for superior strength and longer life (compared to most boxes that are constructed with butt welds).

▲ Vertical angle is high strength alloy and 1/4" thick



ZINC PLATED STEEL MOUNTING BRACKETS

| Order # | | A | B | Weight |
|---------|-------------------------------------|-----------|-----|--------|
| 117 | For 18" Deep Tool Box | 23-13/16" | 16" | 18 |
| 118 | For 24" Deep Tool Box | 29-13/16" | 22" | 25 |
| 620 | E-Z Mounting Kit for 18" tool boxes | | | 24 |
| 621 | E-Z Mounting Kit for 24" tool boxes | | | 31 |

- ▲ Steel for strength and low cost, Zinc Plated for lasting good looks!
- ▲ Available for 18" or 24" deep Tool Boxes
- ▲ Lightweight design - 117 only 18 lbs, 118 only 25 lbs.

Models and/or Specifications Subject to Change Without Notice.

F.O.B. - Fort Lupton CO, Sacramento CA, Salt Lake City UT, Dallas TX, Houston TX, Kansas City MO, Minneapolis MN, Atlanta GA, Pittsburgh PA, Calgary AB (CN), Toronto ON (CN)

Copyright © 2016 Merritt Aluminum Products Company. All Rights Reserved.

