

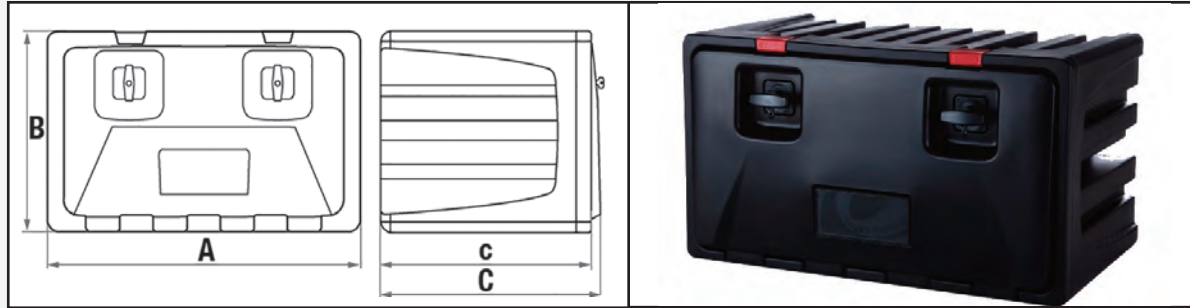
- ▲ Heavy duty polypropylene multi-wall construction
- ▲ Multiple sizes and configurations for your application.
- ▲ Water and dust resistant gasket seal.
- ▲ 11 different sizes to choose from.

- ▲ The use of dedicated LAGO mounting system is recommended to ensure optimum product performance. Mounting kit contains all necessary hardware for tool box to bracket fastening.

LAGO POLY BLACK DOG

Distributed by Merritt



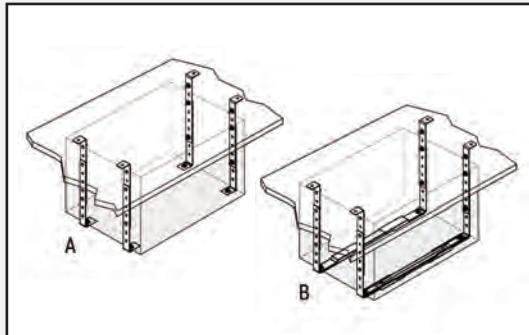


BLACK DOG

Order#	A	B	C	lbs	cubic in	max load (Lbs)
4900	16"	14"	17"	12.6	2440.0	70.0 lbs.
4901	20"	14"	17"	13.7	2800.0	80.0 lbs.
4902	24"	18"	19"	20.3	5500.0	110.0 lbs.
4903	24"	18"	26"	20.3	8550.0	130.0 lbs.
4904	24"	22"	26"	23.0	10000.0	150.0 lbs.
4905	28"	18"	19"	23.2	6600.0	120.0 lbs
4906	28"	18"	26"	26.5	8550.0	150.0 lbs
4907	30"	14"	14"	17.2	3350.0	90.0 lbs
4908	32"	18"	19"	25.3	7500.0	130.0 lbs
4909	39"	20"	19"	33.0	11000.0	160.0 lbs
4910	39"	20"	26"	39.7	15900.0	170.0 lbs

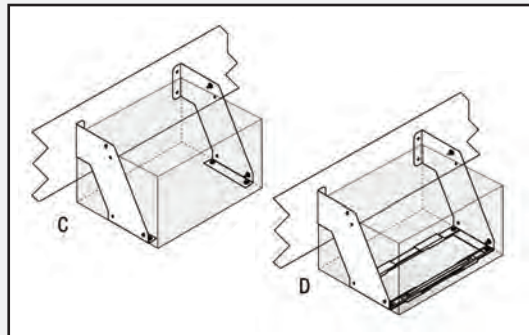
*Indicated value is the maximum distributed load using the dedicated LAGO support brackets.

MOUNTING KITS



PLATFORM support bracket kits for Black Dog

Order#	Description	lbs	Fig.
4925	Suitable for Black Dog 4900/4901	6.0	A
4926	Suitable for Black Dog 4902/4903/4904	15.5	B
4927	Suitable for Black Dog 4905/4906	11.9	B
4928	Suitable for Black Dog 4907	11.0	B
4929	Suitable for Black Dog 4908	12.3	B
4930	Suitable for Black Dog 4910	13.2	B



CHASSIS support bracket kits for Black Dog

Order#	Description	lbs	Fig.
4931	Suitable for Black Dog 4900/4901	10.2	C
4932	Suitable for Black Dog 4902	21.4	D
4933	Suitable for Black Dog 4903	24.2	D
4934	Suitable for Black Dog 4904	27.0	D
4935	Suitable for Black Dog 4905	21.8	D
4936	Suitable for Black Dog 4906	24.7-	D
4937	Suitable for Black Dog 4907	24.2	D
4938	Suitable for Black Dog 4908	22.0	D
4939	Suitable for Black Dog 4909	22.0	D
4940	Suitable for Black Dog 4910	29.0	D

Models and/or Specifications Subject to Change Without Notice.

F.O.B. - Fort Lupton CO, Sacramento CA, Salt Lake City UT, Dallas TX, Houston TX, Kansas City MO, Minneapolis MN, Atlanta GA, Pittsburgh PA, Calgary AB (CN), Toronto ON (CN)