

- ▲ Constructed of light, but durable Aluminum; for long life, great looks and weight savings.
- ▲ Premium alloys used throughout, to make sure you receive the great Merritt product you expect.
- ▲ I beam construction for a robust product.
- ▲ Load tested to 1000lbs. static load.
- ▲ Options available to make the Rack even more productive.
- ▲ Heavy-duty mounting kit available. Easy to install, yet durable. (must be installed to manufacturer directions).

## HEAVY DUTY HOSE RACK



Unit pictured with Crossbar and Base Tray

Heavy Duty Hose Rack

# HEAVY DUTY HOSE RACK

## ORDER INFORMATION

### HEAVY DUTY HOSE RACK

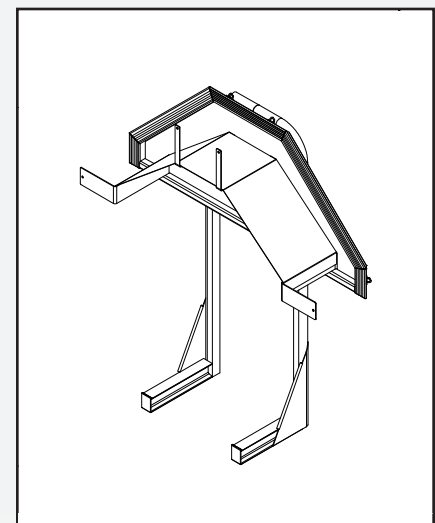
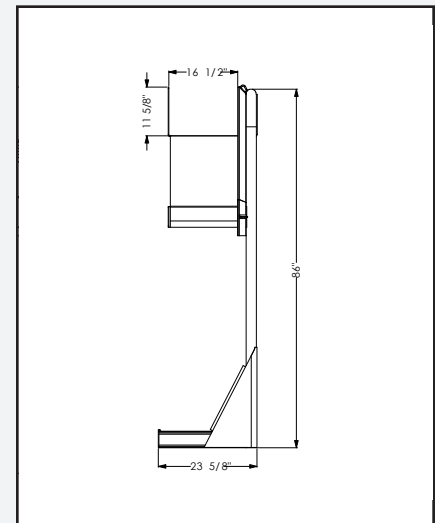
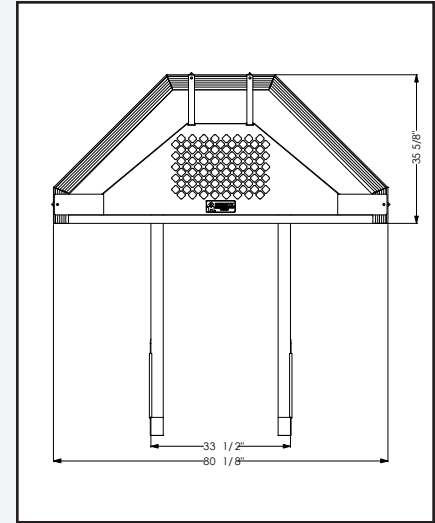
Order #	Description/Dimensions H x D x L	Shipping Weight
6313	Heavy Duty Hose Rack 86 x 23 1/2 x 80 1/2	120 lbs.

### OPTIONS

Order #	Description/Dimensions H x D x L	Shipping Weight
3511	Base Tray 2 1/4 x 23 5/8 x 30 1/4	10 lbs.
3512	Fitting Box 13 1/2 x 8 9/16 x 33 9/16 (specify height above frame)	27 lbs.
4872	Bracket between uprights	Air + Electric 5 lbs.
4873	Bracket between uprights	Blank - drill to spec. 6 lbs.

### MOUNTING KIT

Order #	Description	Shipping Weight
3502	Mounting Kit	23 lbs.



3511 Base Tray



3512 Fitting Box



3502 Mounting Kit

Models and/or Specifications Subject to Change Without Notice.

F.O.B. - Fort Lupton CO, Sacramento CA, Salt Lake City UT, Dallas TX, Houston TX, Kansas City MO, Minneapolis MN, Atlanta GA, Pittsburgh PA, Calgary AB (CN), Toronto ON (CN)