

- ▲ Space saving design mounts between the feet of a Merritt Cab Rack.
- ▲ Constructed of durable lightweight aluminum.
- ▲ Long lasting great look.
- ▲ Fluid level sight gauge with thermometer and metal guard for protection.
- ▲ Three Standard Models 30,55 and 70 gallon.
- ▲ Every tank is pressure tested for leaks.
- ▲ Two 2" ports in the bottom.
- ▲ 3/4" magnetic drain plug.
- ▲ Raised filler neck with O-ring sealed anodized cap for a cleaner system.
- ▲ 3/4" vent.

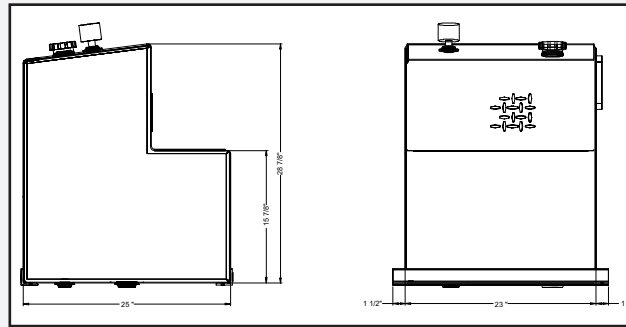
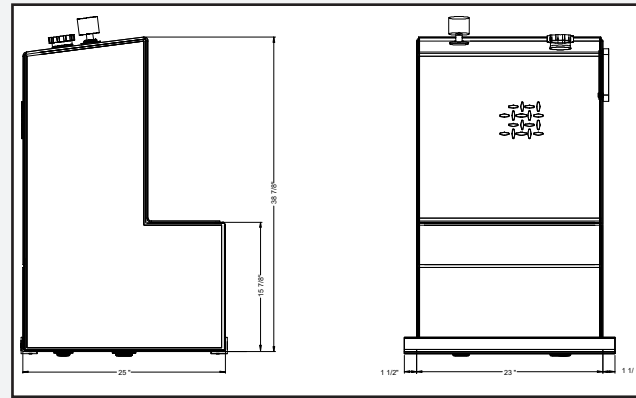
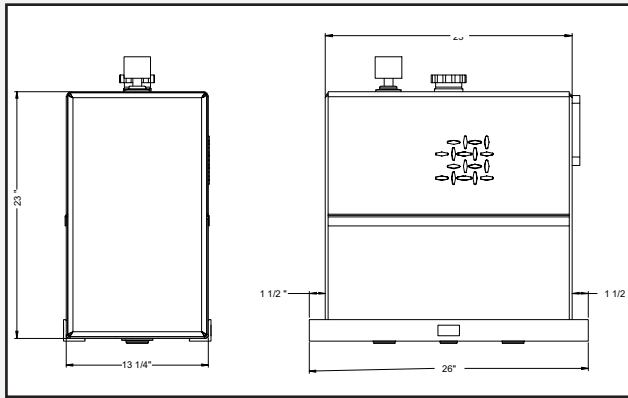
HYDRAULIC TANKS



Hydraulic Tanks

HYDRAULIC TANKS

ORDER INFORMATION

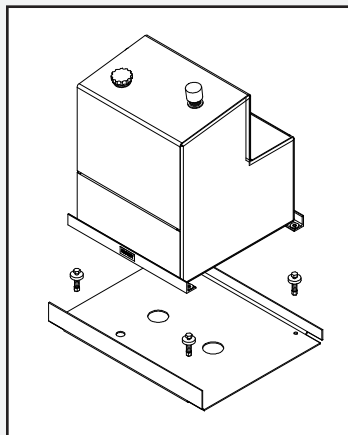


HYDRAULIC TANKS

| Order # | Description | Shipping Weight |
|---------|-----------------------------------|-----------------|
| 6930 | Hydraulic Tank 30 Gallon Capacity | 63 Lbs. |
| 6955 | Hydraulic Tank 55 Gallon Capacity | 79 Lbs. |
| 6970 | Hydraulic Tank 70 Gallon Capacity | 85 Lbs. |

Complete kits include: Reservoir assembly, breather cap, spring mounting kit, and installation plate for Cab Rack between the feet installation.

All Mounting Hardware Included



Models and/or Specifications Subject to Change Without Notice.

F.O.B. - Fort Lupton CO, Sacramento CA, Salt Lake City UT, Dallas TX, Houston TX, Kansas City MO, Minneapolis MN, Atlanta GA, Pittsburgh PA, Calgary AB (CN), Toronto ON (CN)

