

- ▲ New system requires no drilling of the frame to mount.
- ▲ Strong, durable, easy to install.
- ▲ A quick and simple solution to drilling the frame.
- ▲ Easy to move from truck to truck.
- ▲ Fits all Merritt side mount Tool-boxes.
- ▲ All steel parts are Zinc plated for longer life cycle.
- ▲ Load rating equal to the Merritt box rating being mounted.
- ▲ For those who do not wish to drill their frame
- ▲ Normal hand tools used for installation
- ▲ Stocked in most Merritt warehouse locations.

# E-Z TOOLBOX MOUNT



Model # 620 for 18" deep boxes  
Model # 621 for 21" deep boxes



Clamps to flange, no frame drilling!



All hardware for the installation is included in the kit.



Secure, FAST to install and looks good.

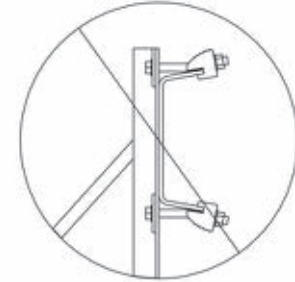
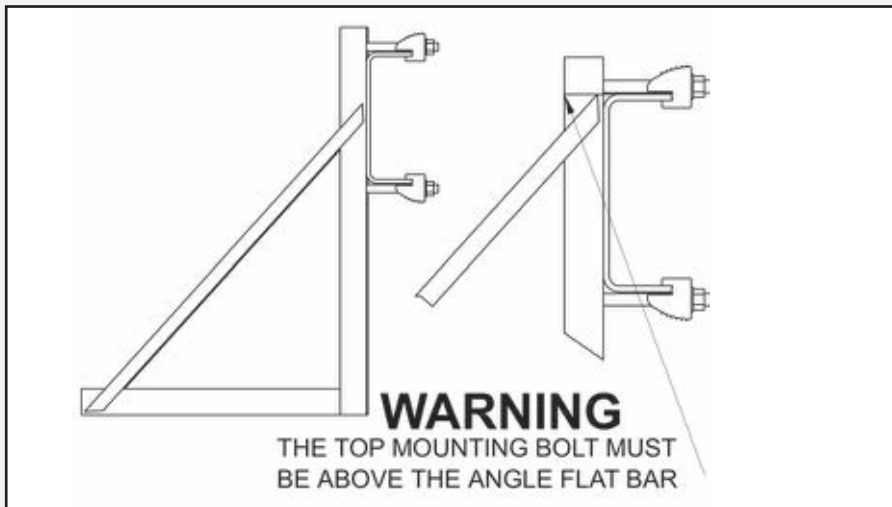
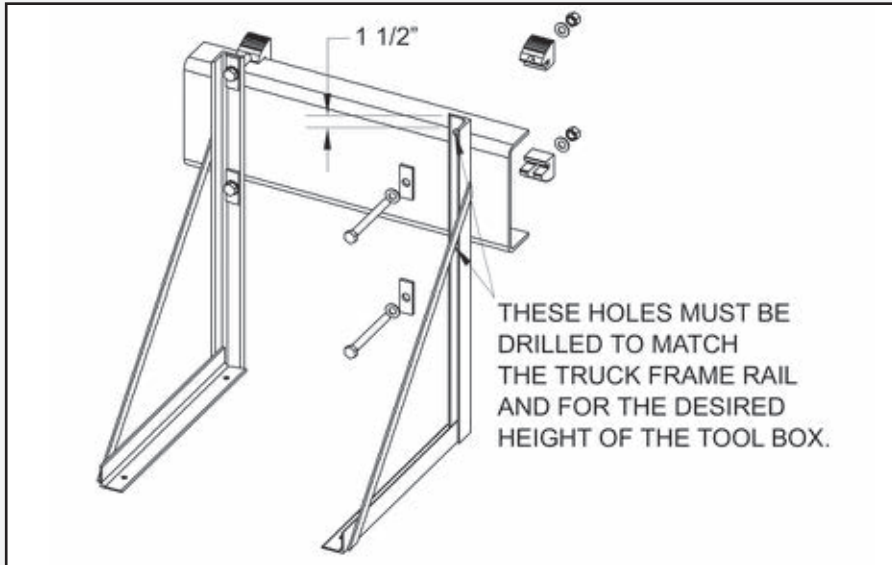


# E-Z TOOLBOX MOUNT

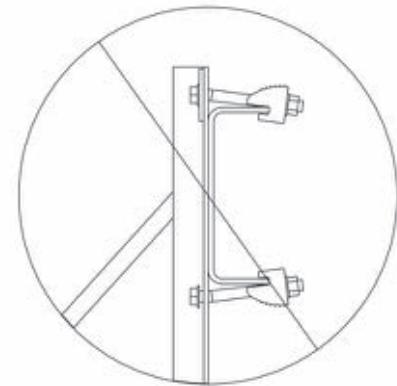
## ORDER INFORMATION

Order #	Description/Dimensions H x D x L	Shipping Wt. Lbs.
620	Mounting Kit for 18" tool boxes	24
621	Mounting Kit for 24" tool boxes	31

- ▲ Kit includes 1 right & 1 left "L" bracket and the E-Z Clamp.
- ▲ Kit also includes all hardware to mount the brackets to the frame.
- ▲ Kit does not include the hardware to mount the box to the bracket.
- ▲ Must be installed to Merritt specifications, see mounting instructions



**WARNING**  
IF THE FLANGE OF THE RAIL DEFORMS WHEN TIGHTENING THE BOLTS THE NO DRILL MOUNT CANNOT BE USED



**WARNING**  
DO NOT MISALIGN BOLTS  
BOLTS MUST BE PARALLEL TO THE FRAME RAIL FLANGE

- ▲ To be used on frames with a 7/16" flange thickness and smaller.

Models and/or Specifications Subject to Change Without Notice.

F.O.B. - Fort Lupton CO, Sacramento CA, Salt Lake City UT, Dallas TX, Houston TX, Kansas City MO, Minneapolis MN, Atlanta GA, Pittsburgh PA, Calgary AB (CN), Toronto ON (CN)

ALUMINUM PRODUCTS  
**MERRITT**  
1-800-525-0107